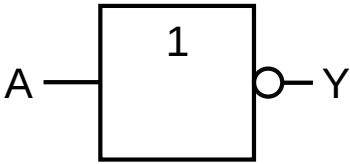
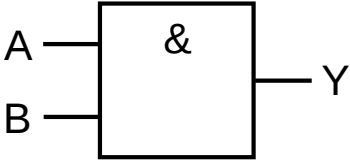
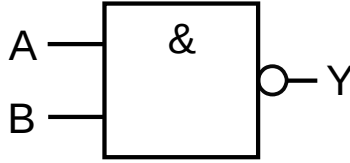
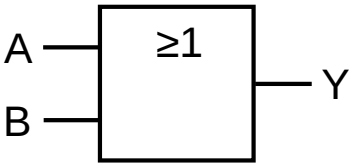
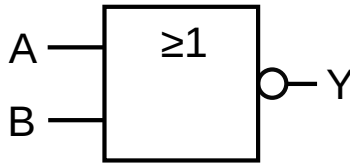


Logikgatter der Schaltalgebra

NOT-GATTER (NOT)	
	
AND-GATTER (AND)	NAND-GATTER (NOT AND)
	
OR-GATTER (OR)	NOR-GATTER (NOT OR)
	
XOR-GATTER (EXCLUSIVE OR)	XNOR-GATTER (EXCLUSIVE NOT OR)
